

CH Products

HFX Thumbwheel

CH Products' HFX Thumbwheel is a self centering, single-axis device developed for thumb-actuated applications requiring proportional output control. Utilizing non-contact Hall effect technology for long life switching, the HFX Thumbwheel delivers up to 3,000,000 thumb actuations. Configuration options include choice of linear voltage span as well as wheel color. The HFX Thumbwheel is available as an individual component or may be incorporated into one of CH Products' custom joysticks.



Features

- Three million life cycles
- Hall effect sensing technology
- Proportional control
- Three output options
- Self centering single-axis design
- Choice of wheel color: red, grey, black or blue
- EMI/RFI filtering
- Potted electrical cavity
- RoHS compliant

Output Options

- 0V to 5.0V
- 0.5V to 4.5V
- 1.0V to 4.0V

Mechanical Specifications

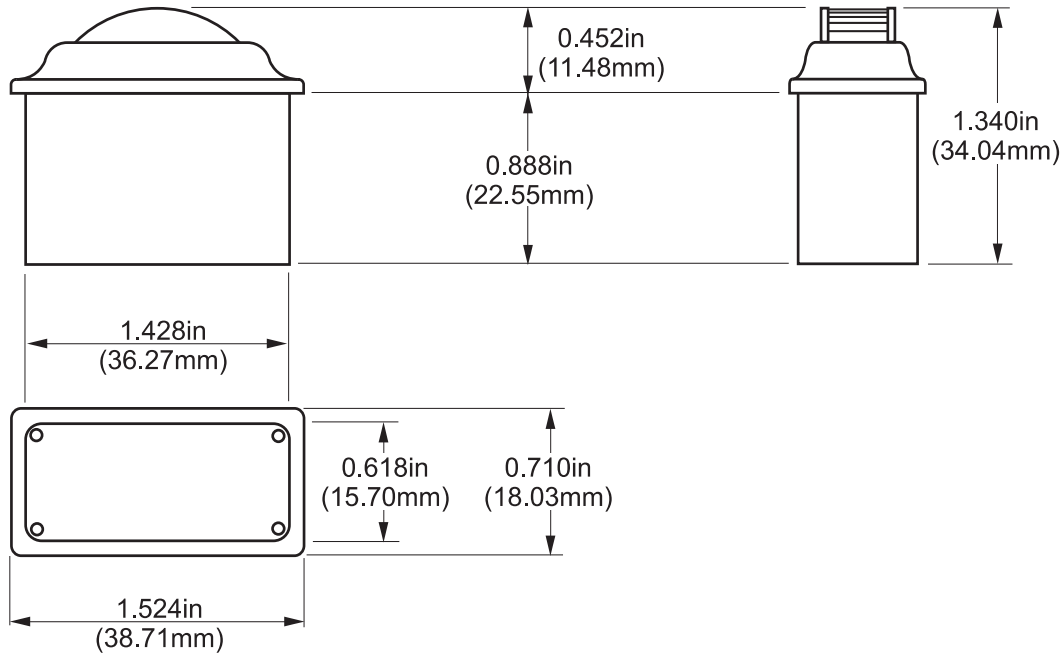
Actuation force:	80 grams (0.78 Newtons)
Operating temperature:	-40°C to +85°C
Life cycles:	3,000,000
Pigtails:	28 gauge PVC insulated wire
Mounting hardware:	Steel spring retainer

Electrical Specifications

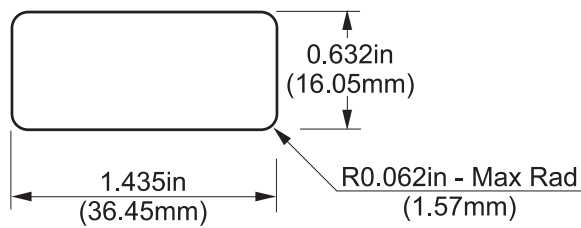
Supply voltage:	5 VDC
Supply current:	10mA max
Output current:	3mA source/1.0mA sink
Output tolerance:	±2%

CH Products

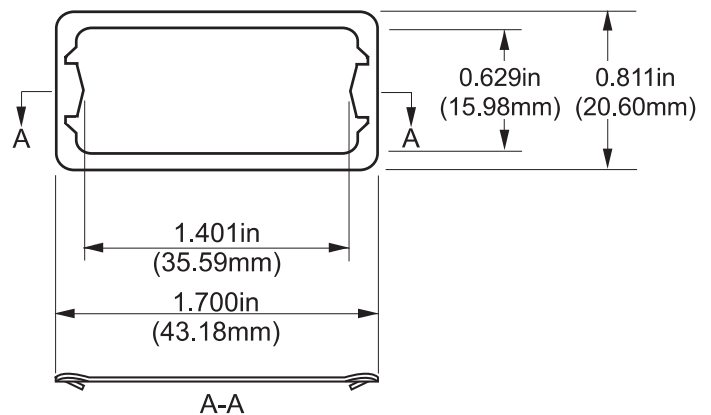
HFX Thumbwheel



MOUNTING CUT-OUT DIMENSIONS



STEEL SPRING RETAINER *



* - used for installation



CH Products
970 Park Center Drive
Vista, CA 92081

Telephone (760) 598-2518
Fax (760) 598-2524
Email oemsales@chproducts.com
Web Site www.chproducts.com

All specifications are subject to change without notice.